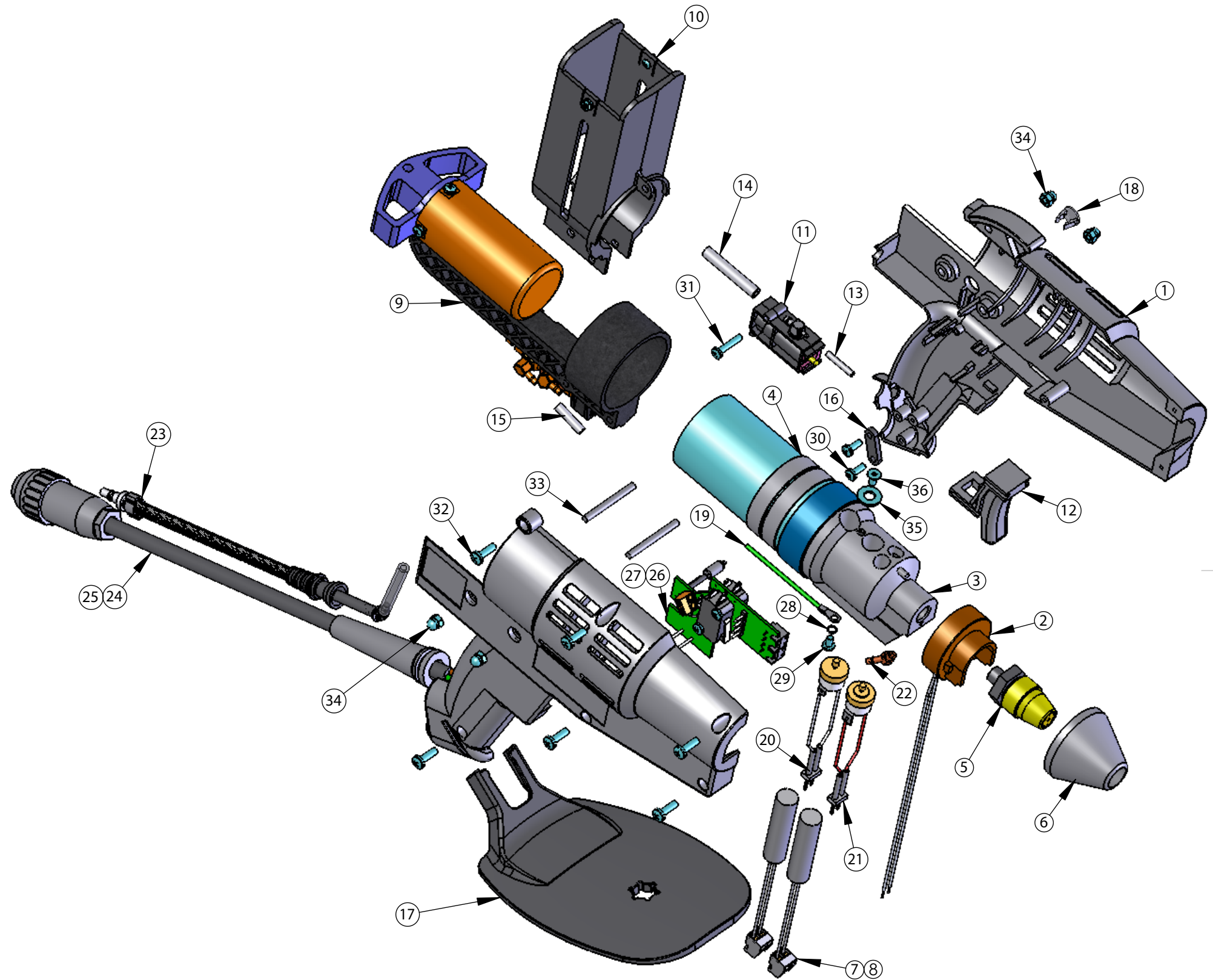


ITEM NO.	PART NUMBER	REVISION	DESCRIPTION	QTY
1	MDN002	REL-01	Modified Handle Mouldings	1
2	AED022	REL-01	Spacer/Thermal Fuse Assy. - 7000	1
3	ADD007	REL-02	Heater Housing Assy.	1
4	MDA013	REL-01	Barrel Support Ring	2
5	PA6060	REL-02	Std. Spray Nozzle Assy - 2mm	1
6	NDR001	REL-03	Nozzle Shroud	1
7	AED025	REL-01	Heater Assy. - 230V	2
8	AED039	REL-01	Heater Assy. - 120V	2
9	ADD009	REL-01	Piston Assy.	1
10	ADD031	REL-01	Speed Loader Assy.	1
11	AGD006	REL-01	6300 Trigger Valve Assy.	1
12	NDN001	REL-01	Trigger Moulding	1
13	PAP003	REL-01	Urethane Hose 50mm	1
14	PAP004	REL-01	Urethane Hose 75mm	1
15	PAP005	REL-01	PTFE Hose 200mm	1
16	NDN003	REL-01	Cord Clamp	1
17	NDN005	REL-01	Heavy Duty 6000 Stand	1
18	FZP001	REL-01	Clear Lens	1
19	PA4028	REL-01	Earth Wire Assy.	1
20	AED023	REL-01	Thermostat Assy. 180C	1
21	AED024	REL-01	Thermostat Assy. 204C	1
22	BGB015	REL-01	45 deg. Fitting	1
23	AGD007	REL-01	Airline Assy	1
24	AJR012	REL-01	230V Cordset Assy.	1
25	AJR013	REL-01	110V Cordset Assy.	1
26	AED026	REL-01	PCB Assy 230V - 7000	1
27	AED040	REL-01	PCB Assy 120V - 7000	1
28	PA1042		4BA Spring Washer	1
29	PA1032		Screw 4BA x 1/4" Pozi Pan	1
30	HSZ049		3.5 x 10mm Screw	2
31	HSZ060		Screw 3.5 x 19 Pozi Pan	1
32	PA3045		4 x 12mm Pan Head Screw	6
33	FDC002	REL-01	M4 x 40 Studding	2
34	FKZ006		M4 Dome Nut	4
35	HWZ009		6mm Steel Washer	1
36	FWC001		M4 x 10 Counter Sunk Socket Screw	1



THIS DRAWING AND THE INFORMATION IT CONTAINS IS THE PROPERTY OF POWER ADHESIVES AND IS CONFIDENTIAL. IT MUST NOT BE REPRODUCED EITHER WHOLLY OR IN PART. ALL RIGHTS IN RESPECT OF PATENTS, DESIGNS AND COPYRIGHTS ARE RESERVED.

MATERIAL	N/A	DRAWN	SteveE
FINISH	N/A	DATE	
COLOUR	N/A	ECN No.	

NOTES	From S/N 10322 - 36866
TITLE	Tec 7300
DWG. No.	A3
REVISION	REL-01

DIMENSIONS ARE IN MM UNLESS OTHERWISE STATED	TOLERANCES UNLESS OTHERWISE STATED	SCALE	1:2.6
THIRD ANGLE	WHOLE NUMBERS ±0.5mm 1 DECIMAL PLACE ±0.3mm 2 DECIMAL PLACE ±0.1mm	SHEET 1 OF 1	