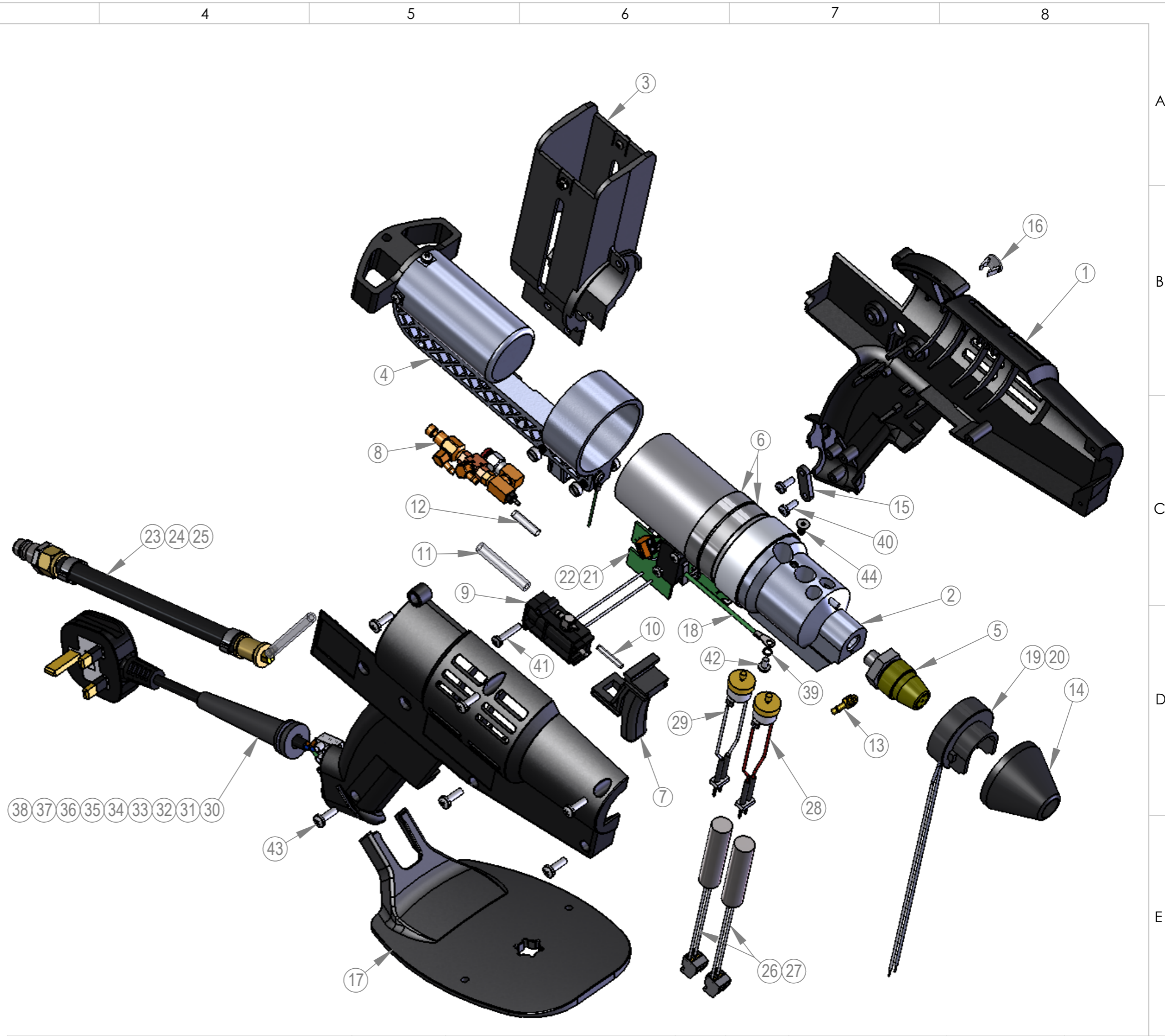



ITEM NO.	PART NUMBER	REVISION	DESCRIPTION	QTY
1	MDN002	REL-01	Modified Handle Mouldings	1
2	ADD007	REL-03	Heater Housing Assy.	1
3	ADD031	REL-01	Speed Loader Assy.	1
4	SK-7000-Piston-AL	REL-01	Piston Repair Kit & Screws	1
5	PA6060	REL-03	Std. Spray Nozzle Assy - 2mm	1
6	MDA013	REL-01	Barrel Support Ring	2
7	NDN001	REL-02	Trigger Moulding	1
8	AGD019	REL-01	Spray Air System Assy - 7000	1
9	AGD006	REL-02	6300 Trigger Valve Assy.	1
10	PAP003	REL-01	Urethane Hose 50mm	1
11	PAP004	REL-01	Urethane Hose 75mm	1
12	PAP005	REL-01	PTFE Hose 200mm	1
13	BGB015	REL-01	45 deg. Fitting	1
14	NDR001	REL-03	Nozzle Shroud	1
15	NDN003	REL-01	Cord Clamp	1
16	FZP001	REL-01	Clear Lens	1
17	NDN005	REL-02	Heavy Duty 6000 Stand	1
18	PA4028	REL-01	Earth Wire Assy.	1
19	AED022	REL-01	Spacer/Thermal Fuse Assy. 228C 230V	1
20	AED052	REL-01	Spacer/Thermal Fuse Assy. 240C 110V	1
21	AED026	REL-01	PCB Assy 230V - 7000	1
22	AED040	REL-01	PCB Assy 120V - 7000	1
23	AGD032	REL-02	Airline Assy 3m Std	1
24	AGD033	REL-02	Airline Assy 3m US	1
25	AGD031	REL-01	Airline Assy Extension	1
26	AED025	REL-01	Heater Assy. - 230V	2
27	AED039	REL-01	Heater Assy. - 120V	2
28	AED024	REL-01	Thermostat Assy. 204C	1
29	AED023	REL-01	Thermostat Assy. 180C	1
30	PA6066	REL-01	UK Cordset Assy. 3 Core 3m	1
31	PA8022	REL-01	US Cordset Assy. 3 Core 3m	1
32	PA6067	REL-01	110V UK Cordset Assy. 3 Core 3m	1
33	PA6065	REL-01	Euro Cordset Assy. 3 Core 3m	1
34	AJR025	REL-01	South African Cordset Assy. 3 Core 3m	1
35	AJR035	REL-01	Australian Cordset Assy. 3 Core 3m	1
36	AJR012	REL-01	230V Extension Cordset Assy.	1
37	AJR013	REL-01	110V Extension Cordset Assy.	1
38	AJR032	REL-01	US Extension Cordset Assy.	1
39	PA1042		Washer 4BA Spring	1
40	HSZ049		Screw #6 x 3/8" Pozi Pan	2
41	HSZ060		Screw #6 x 3/4" Pozi Pan	1
42	PA1032		Screw 4BA x 1/4" Pozi Pan	1
43	PA3045		Screw 4 x 12mm Plastite Pozi Pan	6
44	FWC001		Screw M4 x 10 SKT/CSK	1





THIS DRAWING AND THE INFORMATION IT CONTAINS IS THE PROPERTY OF POWER ADHESIVES AND IS CONFIDENTIAL. IT MUST NOT BE REPRODUCED EITHER WHOLLY OR IN PART. ALL RIGHTS IN RESPECT OF PATENTS, DESIGNS AND COPYRIGHTS ARE RESERVED.

MATERIAL	N/A	DRAWN	SteveE
FINISH	N/A	DATE	22/05/13
COLOUR	N/A	ECR No.	

NOTES  
From Serial # 36867 -

DIMENSIONS ARE IN MM UNLESS OTHERWISE STATED

THIRD ANGLE

TOLERANCES UNLESS OTHERWISE STATED

WHOLE NUMBERS	±0.5mm
1 DECIMAL PLACE	±0.3mm
2 DECIMAL PLACE	±0.1mm

SCALE 1:2.5  
SHEET 1 OF 1

TITLE  
**Tec 7300**

DWG. No.	A3	REVISION	REL-02
----------	----	----------	--------